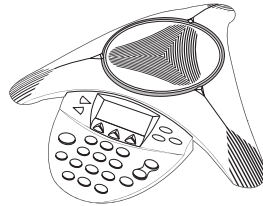


Parts List

Thank you for choosing the Polycom SoundStation® IP 6000, a conference telephone that provides high quality audio conferencing over an IP network.

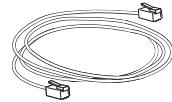
These items are included in your SoundStation IP 6000 package. If you are missing any items, contact your SoundStation IP 6000 reseller.



SoundStation IP

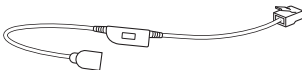


Quick Start

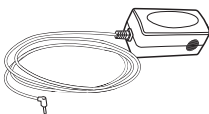


Network

Optional Accessories

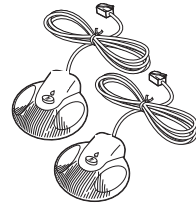


Power Interface



Power Adapter

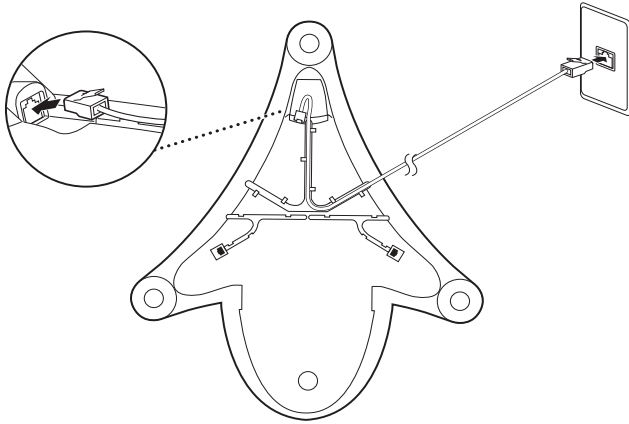
(Not shown: Country-Specific Power)



External Micro-

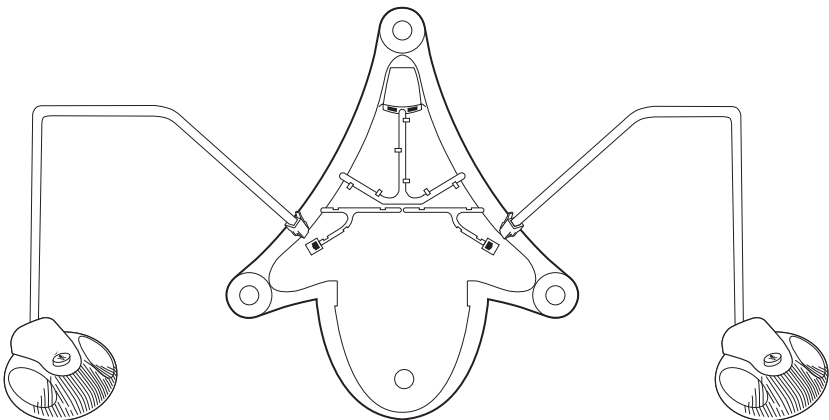
Installation

To install the SoundStation IP 6000, plug one end of the network cable into the network port on the bottom of the SoundStation IP 6000 console, and plug the other end of the network cable into your data port with PoE.

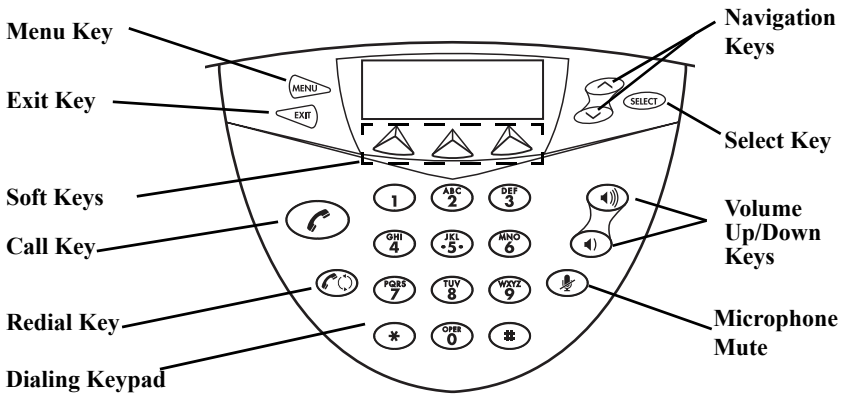
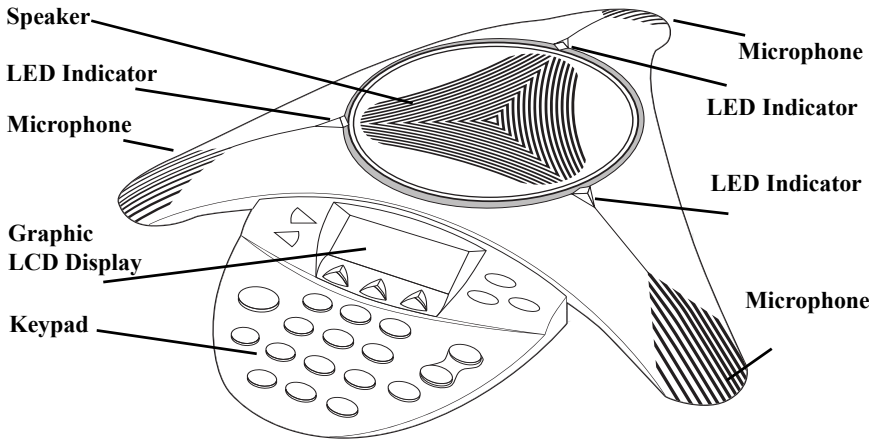


External Microphones

Connect external microphones (optional accessories), as shown below.



Features



Startup

After it has been connected to the network, the SoundStation IP 6000 automatically powers up via Power over Ethernet (PoE) and begins a process of establishing itself on the network. When this is complete, the idle screen is displayed (as shown on the right).

For more information, refer to the SoundStation IP 6000 User Guide, available online at:

<http://support.polycom.com>



Idle Screen

Warranty, Copyright, Safety Notices

Limited Warranty. Polycym Warrants To The End User (customer*) That This Product Will Be Free From Defects in Workmanship And Materials, Under Normal Use And Service, For One Year From The Date Of Purchase From Polycym Or Its Authorized Reseller. Polycym's Sole Obligation Under This Express Warranty Shall Be, At Polycym's Option And Expense, To Repair The Defective Product Or Part, Deliver To Customer An Equivalent Product Or Part To Replace The Defective Item, Or If Neither Of The Two Foregoing Options Are Reasonably Available, Polycym May, On Its Sole Discretion, Refund To Customer The Purchase Price Paid For The Defective Product. All Products That Are Replaced Will Become The Property Of Polycym. Replacement Products Or Parts May Be New Or Reconditioned. Polycym Warrants Any Replaced Product Or Part For Ninety (90) Days From Shipment, Or The Remainder Of The Initial Warranty Period, Whichever Is Longer.

Products Returned To Polycym Must Be Sent Prepaid And Packaged Appropriately For Safe Shipment, And It Is Recommended That They Be Insured Or Sent By A Method That Provides For Tracking Of The Package. Responsibility For Loss Or Damage Does Not Transfer To Polycym Until The Returned Item Is Received By Polycym. The Reseller Or Replaced Item Will Be Shipped To Customer, At Polycym's Expense, Not Later Than Thirty (30) Days After Polycym Receives The Defective Product, And Polycym Will Retain Risk Of Loss Or Damage Until The Item Is Delivered To Customer.

Exclusions. Polycym Will Not Be Liable Under This Limited Warranty If Its Testing And Examination Disclose That The Alleged Defect Or Malfunction In The Product Does Not Exist Or Results From:

- Failure To Follow Polycym's Installation, Operation, Or Maintenance Instructions
 - Unauthorized Product Modification Or Alteration.
 - Unauthorized Use Of Common Carrier Communication Services Accessed Through The Product
 - Abuse, Misuse, Negligent Acts Or Omissions Of Customer And Persons Under Customer's Control, Or
 - Acts Of Third Parties, Acts Of God, Accident, Fire, Lightning, Power Surges Or Outages, Or Other Hazards.
- Warranty Exclusive. If A Polycym Product Does Not Operate As Warranted Above, Customer's Sole Remedy For Breach Of That Warranty Shall Be Repair, Replacement, Or Refund Of The Purchase Price Paid, At Polycym's Option. To The Full Extent Allowed By Law, The Foregoing Warranties And Remedies Are Exclusive And Are In Lieu Of All Other Warranties, Terms, Or Conditions, Express Or Implied, Either In Form Or In Operation Of Law, Statutory Or Otherwise, Including Warranties, Terms, Or Conditions Of Merchantability, Fitness For A Particular Purpose, Satisfactory Quality, Correspondence With Description, And Non-infringement, All Of Which Are Expressly Disclaimed. Polycym Neither Assumes Nor Authorizes Any Other Person To Assume For It Any Other Liability In Connection With The Sale, Installation, Maintenance Or Use Of Its Products. Service Agreements. Please Contact Your Polycym Authorized Reseller For Information About Service Agreements Applicable To Your Product.
- Software Support. Polycym Will Provide Support For Software Running On The Product In All Of The Following Conditions Are Satisfied:
- * The Product Is Under Warranty Or Is Covered By A Polycym Service Contract;

CE Mark R & TTE Directive (EU only)

Polycym (UK) Ltd tímto prohlašuje, že tento SoundStation IP 6000 je v shodě se základními požadavky a dalšími požadavky, které jsou stanoveny v příloze 1 směrnice 1999/5/ES.

Undertegnede Polycym (UK) Ltd erklærer herved, at følgende udstyr SoundStation IP 6000 overholder de væsentlige krav og øvrige relevante krav i direktiv 1999/5/EF.

Hiermit erklärt Polycym (UK) Ltd, dass sich das Gerät SoundStation IP 6000 in Übereinstimmung mit den grundlegenden Anforderungen und den übrigen einschlägigen Bestimmungen der Richtlinie 1999/5/EG befindet.

Καελοεγχα κινιηται Polycym (UK) Ltd seadme SoundStation IP 6000 vastavast direktiivi 1999/5/EÜ põhinõuetele ja nimetatud direktiivi täiendavatele nõuetele.

Hereby, Polycym (UK) Ltd, declares that this SoundStation IP 6000 is in compliance with the essential requirements and other relevant provisions of Directive 1999/5/EC.

Por medio de la presente Polycym (UK) Ltd declara que el SoundStation IP 6000 cumple con los requisitos esenciales y cualesquiera otras disposiciones aplicables o exigibles de la Directiva 1999/5/CE.

ΜΕ ΤΗΝ ΠΑΡΟΥΣΑ ΠΟΛΥΚΥΜ (UK) LTD ΔΗΛΩΝΕΙ ΟΤΙ ΤΟ ΣΤΑΘΙΟΝ ΣΤΑΘΙΟΝ IP 6000 ΣΥΜΜΟΡΦΩΝΕΤΑΙ ΠΡΟΣ ΤΙΣ ΟΥΣΙΩΔΕΙΣ ΑΠΑΙΤΗΣΕΙΣ ΚΑΙ ΤΙΣ ΔΟΜΙΚΕΣ ΞΕΤΙΚΕΣ ΔΙΑΤΑΞΕΙΣ ΤΗΣ ΟΥΣΙΑΣ 1999/5/ΕΚ.

Par la présente Polycym (UK) Ltd déclare que l'appareil SoundStation IP 6000 est conforme aux exigences essentielles et aux autres dispositions pertinentes de la directive 1999/5/CE.

Con la presente Polycym (UK) Ltd dichiara che questo SoundStation IP 6000 è conforme ai requisiti essenziali ed alle altre disposizioni pertinenti stabilite dalla direttiva 1999/5/CE. Hér með yfir Polycym (UK) Ltd yfir því að SoundStation IP 6000 er í samræmi við grunnkröf og aðrar kröfur, sem gerðar eru í tilskipun 1999/5/EC.

SAFETY AND REGULATORY INFORMATION. This device complies with Part 15 of the FCC Rules. Operation is subject to the following two conditions:

(1) This device may not cause harmful interference, and (2) This device must accept any

- interferences received, including interference that may cause undesired operation. Note: This equipment has been tested and found to comply with the limits for a Class B digital device, pursuant to part 15 of the FCC Rules. These limits are designed to provide reasonable protection against harmful interference to a residential installation. This equipment generates, uses and can radiate radio frequency energy and, if not installed and used in accordance with the instructions, may cause harmful interference to radio communications. However, there is no guarantee that interference will not occur in a particular installation. If this equipment does cause harmful interference to radio or television reception, which can be determined by turning the equipment off and on, the user is encouraged to try to correct the interference by one or more of the following measures:
- 1. Reorient or relocate the receiving antenna.
- 2. Increase the separation between the equipment and receiver.
- 3. Connect the equipment into an outlet on a circuit different from that to which the receiver is connected.
- 4. Consult the dealer or an experience radio/TV technician for help.

Hereby, Polycym, Inc. declares that the products in this manual are CE marked and in compliance with the EMC directives and regulations that apply to them including: R & TTE Directive 1999/5/EC. A full copy of the Declaration of Conformity can be obtained from Polycym Ltd., 270 Bath Road, Slough, Berkshire, SL1 4DX, UK. Hereby, Polycym, Inc. declares that the products in this manual are in compliance with the following EU directives and regulations:

- Restriction of Hazardous Substances (RoHS) 2002/95/EC
- Waste Electrical and Electronic Equipment (WEEE) 2002/96/EC

Operating Ambient Conditions:

- Operating temperature: +32 to 104°F (0 to 40°C)
 - Relative humidity: 20% to 85%, noncondensing
 - Storage temperature: -22 to 133°F (-5 to +55°C)
- In accordance with Part 15 of the FCC Rules, the user is cautioned that any changes or modifications not expressly approved by Polycym, Inc. could void the user's authority to operate the equipment.
- Installation must be performed in strict accordance with all relevant national wiring rules. The installation doit être exécutée conformément à tous les règlements nationaux.

Contact Information:

Please contact your Polycym Authorized Reseller for assistance.

- The Product Is Operating On A Polycym-approved Partner Platform; And
 - The Product Software Is The Current Major Version Or The Next Preceding Major Version (Software Revisions Are Labeled As "x.y.z," With The First Two Digits Designating Major Versions).
 - The Product Software Comes With 90-day Software Warranty, Providing For Software Updates (Minor Releases/bug Fixes). To Continue To Receive Support, Purchasing A Maintenance Contract Is The Most Economical Solution.
- Request for Support Should be Made Through The Polycym Reseller From Whom The Product Was Purchased.

Limitation Of Liability. To The Full Extent Allowed By Law, Polycym Excludes For Itself And Its Suppliers Any Liability, Whether Based In Contract Or Tort (including Damages For Certain Products Supplied To Consumers, Or The Limitation Of Liability For Personal Injury, So The Above Limitations And Exclusions May Be Limited In Their Application To You. When The Implied Warranties Are Not Allowed To Be Excluded in Their Entirety, They Will Be Limited To The Duration Of The Applicable Written Warranty. This Warranty Gives You Specific Legal Rights Which May Vary Depending On Local Law.

Governing Law. This Limited Warranty And Limitation Of Liability Shall Be Governed By The Laws Of The State Of California, U.S.A. Specifically, The Laws Of The United States, Excluding Their Conflicts Of Laws Principles. The United Nations Convention On Contracts For The International Sale Of Goods Is Hereby Excluded In Its Entirety From Application To This Limited Warranty And Limitation Of Liability. All Rights Reserved Under International And Pan-American Copyright Conventions. No Part Of The Contents Of This Manual May Be Copied, Reproduced, Or Transmitted In Any Form Or By Any Means, Or Translated Into Another Language Or Format, In Whole Or Part, Without Written Consent From Polycym, Inc. Do Not Remove Or Alter Any Portion Else To Remove Any Product Identification, Copyright Or Other Notices. Polycym, The Polycym Logo Design, And SoundStation Are Trademarks Of Polycym, Inc. In The U.S. And Various Other Countries. All Rights Reserved Under International And Pan-American Copyright Conventions. No Part Of The Contents Of This Manual May Be Copied, Reproduced, Or Transmitted In Any Form Or By Any Means, Or Translated Into Another Language Or Format, In Whole Or Part, Without Written Consent Of Polycym, Inc.

Polycym® And The Logo Design Are Registered Trademarks And Polycym SoundStation IP 6000 Is A Trademark Of Polycym, Inc. In The United States, And Various Countries. Do Not Remove or allow any third party to remove any product identification, Copyright Or Other Notices.

Ar šo Polycym (UK) Ltd deklārē, ka SoundStation IP 6000 atbilst Direktīvas 1999/5/EK būtiskajiem prasībām un citiem ar to saistītajiem noteikumiem.

Polycym (UK) Ltd deklaruje, kad šis SoundStation IP 6000 atinja esmīnisk reikavimus ir citas 1999/5/EE Direktīvas prasības.

Hierbij verklaart Polycym (UK) Ltd dat het toestel SoundStation IP 6000 in overeenstemming is met de essentiële eisen en de andere relevante bepalingen van richtlijn 1999/5/EG.

Hanhekk, Polycym (UK) Ltd, jiddikarja it dan SoundStation IP 6000 jikkonforma mal-hilgeit essencjalim ušimim provodimim čičajim relevantim i hemim fid-Direttiva 1999/5/EC.

Alluredit, Polycym (UK) Ltd nylatkokom, hogy a SoundStation IP 6000 megfelel a vonatkozó alapvető követelményeknek és az 1999/5/EC irányelv egyéb előírásainak.

Polycym (UK) Ltd erklærer herved at utstyret SoundStation IP 6000 er i samsvar med de grunnleggende krav og øvrige relevante krav i direktiv 1999/5/EF.

Ninelezyjm Polycym (UK) Ltd oświadczaję, że SoundStation IP 6000 jest zgodne z zasadniczymi wymaganiami oraz innymi stosownymi postanowieniami Dyrektywy 1999/5/CE.

Polycym (UK) Ltd declara que este SoundStation IP 6000 esta conforme con los requisitos esenciales e outras disposicións da Directiva 1999/5/CE.

Polycym (UK) Ltd tímto vyhlasuje, že SoundStation IP 6000 splna základné požiadavky a všetky esencijálne ustanovenia Smernice 1999/5/ES.

Polycym (UK) Ltd vakuuttaa täten että SoundStation IP 6000 täynnäkin laatu direktiivin 1999/5/ETY vaatimusten ja sitä koskevien direktiivin muiden ehtojen mukainen.

Härmed intygar Polycym (UK) Ltd att denna SoundStation IP 6000 står i överensstämmelse med de väsentliga egenskapskrav och övriga relevanta bestämmelser som framgår av direktiv 1999/5/EG.

applicable au filage électrique.

The outlet to which this apparatus is connected must be installed near the equipment and must always be readily accessible. When using Power over Ethernet (PoE), the equipment is to be connected only to PoE networks without connections to the outside plant. La prise électrique à laquelle l'appareil est branché doit être installée près de l'équipement et doit toujours être facilement accessible. Lorsque vous utilisez une alimentation électrique par câble ethernet (PoE - Power over Ethernet), l'équipement doit être connecté uniquement aux réseaux PoE sans connexions vers l'extérieur de l'usine.

This Class [B] digital apparatus complies with Canadian ICES-003. Cet appareil numérique de la classe [B] sera conforme à la norme NMB-003 du Canada. This equipment is designed to be connected to a LAN or WAN ports of SELV circuits to teleconference station network (ITN) circuits. LAN ports contain SELV circuit, and WAN ports contain TN circuits. Some LAN and WAN ports both use RJ-45 connectors. Use caution when connecting cables to either low voltage RJ-45 ports. When used with the optional external power supply, the power supply shall be a Listed power supply with a LPS output, rated 48V, min. 0.38A. Afin d'éviter les chocs électriques, ne pas connecter de circuits de tension extra-basse de sécurité (SELV) à des circuits de réseau de stations de téléconférence (ITN). Les ports LAN contiennent un circuit SELV et les ports WAN contiennent des circuits TN. Certains ports LAN et WAN utilisent tous deux des connecteurs RJ-45. Faites preuve de prudence lors de la connexion des câbles à ces ports. Les ports de connecteurs RJ-45 utilisent à la fois une alimentation externe facultative, l'alimentation électrique doit être répétée et munie d'une sortie LPS, possédant les caractéristiques suivantes: 48 Vdc, 0,38 A. Lorsqu'il est utilisé avec le bloc d'alimentation externe facultative, l'alimentation électrique doit être répétée et munie d'une sortie LPS, possédant les caractéristiques suivantes: 48 Vdc, 0,38 A.

In addition, all PoE sources must meet the Limited Power Source requirements of IEC 60950-1:2005 (2nd Edition), Am1:2009 or IEC 60950-1:2005 (2nd Edition), Am1:2009.

En outre, toutes les sources PoE doivent satisfaire aux exigences de source d'alimentation limitée de la IEC 60950-1:2005 (2ème édition), Am1:2009 ou IEC 60950-1:2005 (2ème édition), Am1:2009.

Australia Warning: This equipment will not operate when mains power fails.

この装置は、クラスA情報技術装置です。この装置を家庭環境で使用すると電波妨害を引き起こすことがあります。この場合には使用者が適切な対策を講ずるよう要求されることがあります。 VCCI-A



1725-15641-001/J

Polycym, Inc. 6001 America Center Dr, San Jose, CA 95002 USA